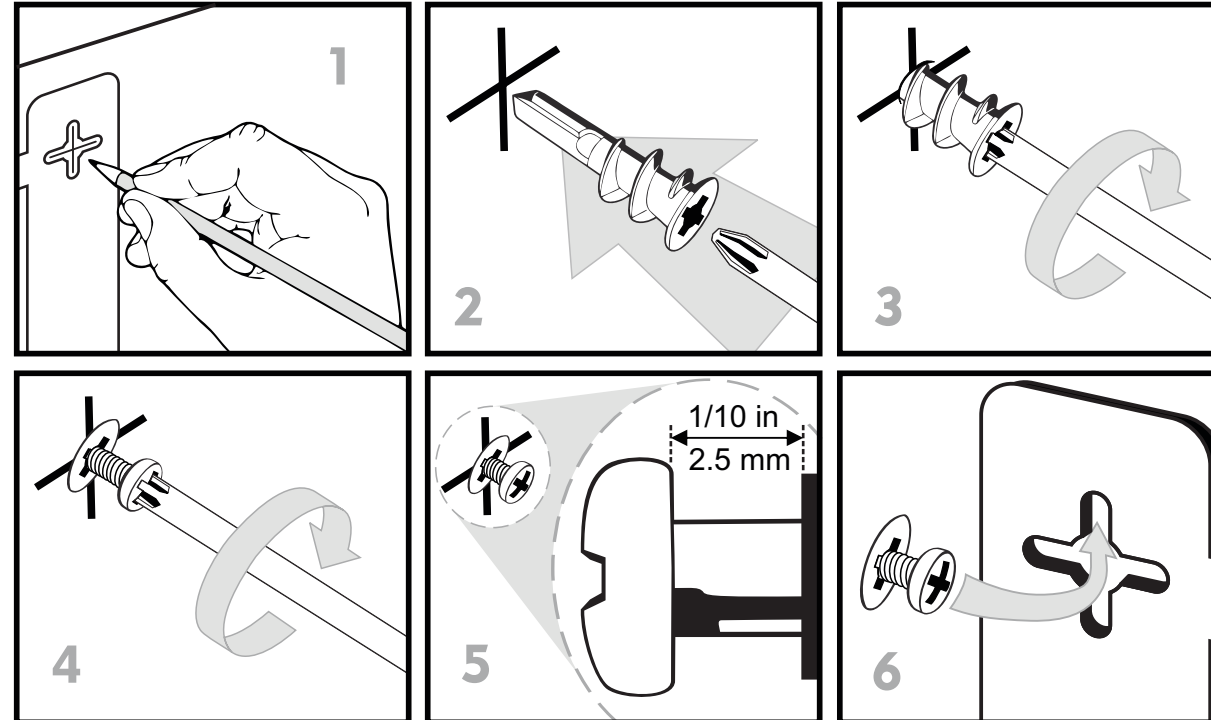
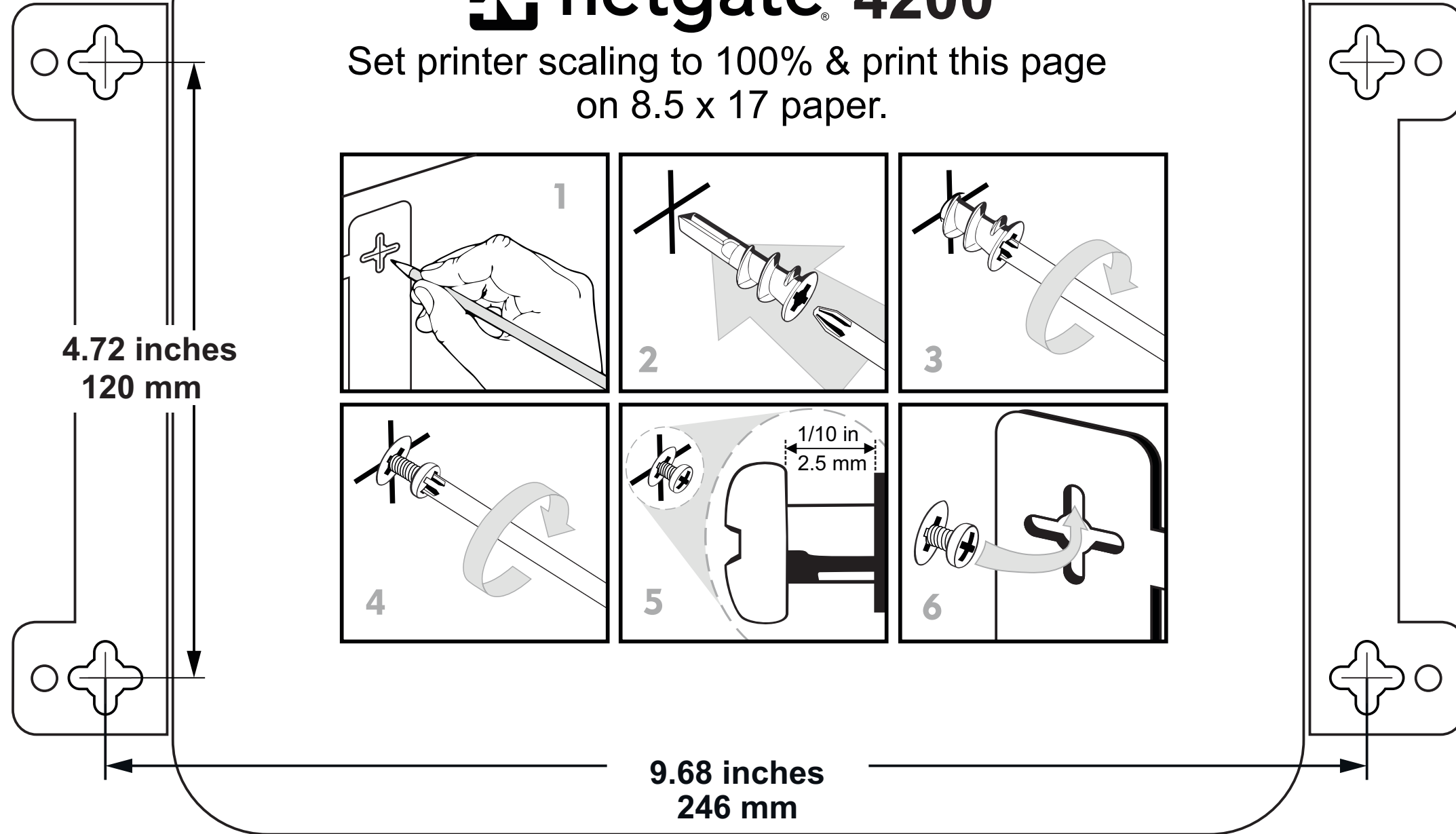


REAR (i/o ports)

netgate 4200

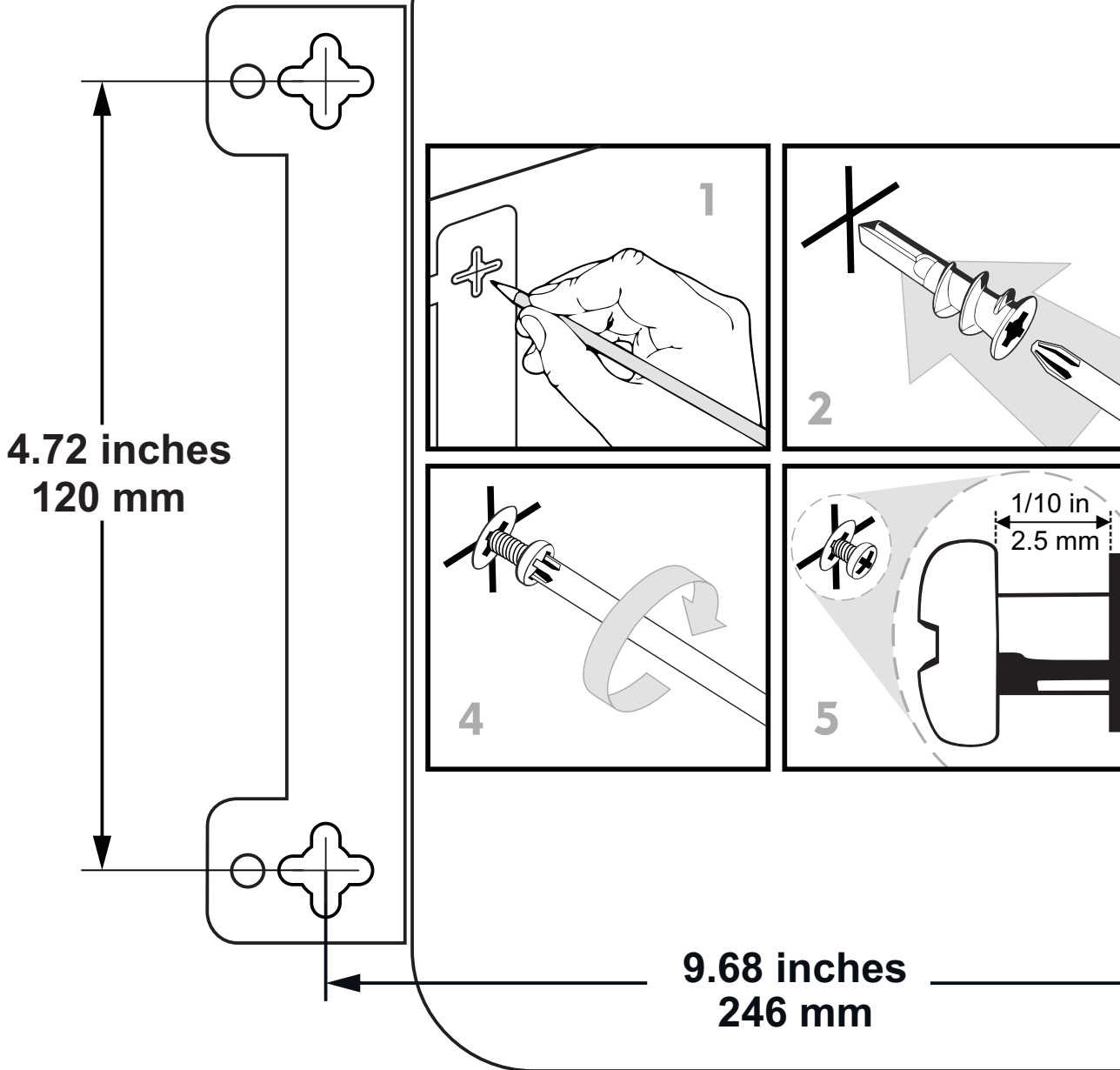
Set printer scaling to 100% & print this page
on 8.5 x 17 paper.



FRONT (LEDs)

netgate 4200

Set printer scaling to 100%
print pages A & B on 8.5 x 11" paper

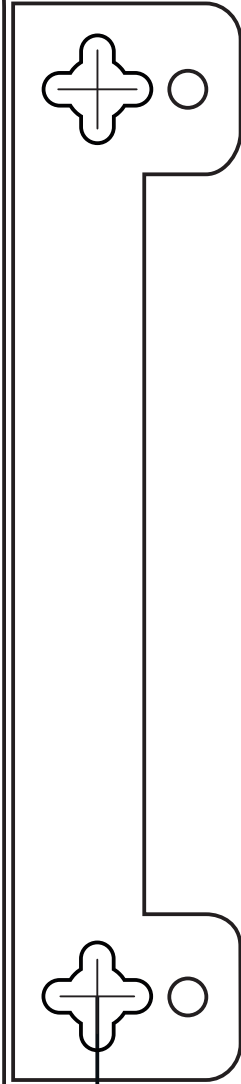
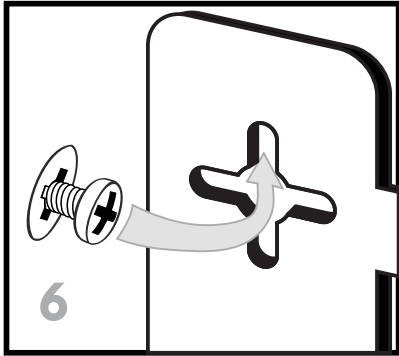
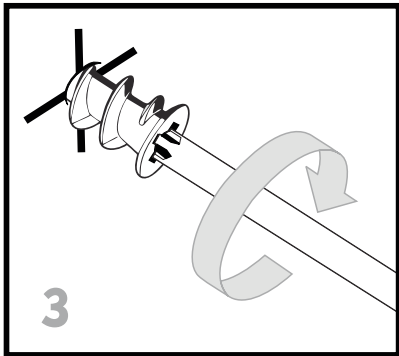


FRONT (LEDs)

Align Cut Edge of Page B with Arrows on Page A and tape together

REAR (i/o ports)

CUT ON DASHED LINE



FRONT (LEDs)